



GIA
GEM TRADE LABORATORY®

New York Headquarters
580 Fifth Avenue | New York, NY 10036-4794
T: 212-221-5656 | F: 212-575-3095

Carlsbad
5355 Armada Drive | Carlsbad, CA 92038-4399
T: 760-808-4500 | F: 760-633-1814

**COLORED DIAMOND
IDENTIFICATION AND ORIGIN REPORT**

April 01, 2004

Shape and Cutting StyleEMERALD CUT

Measurements4.47 x 3.51 x 2.64 mm

Weight0.36 carat

Color

OriginNATURAL

GradeFANCY INTENSE

.....PINK

DistributionEVEN

Comments:

None

GIA REPORT 13255412

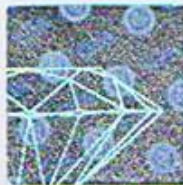
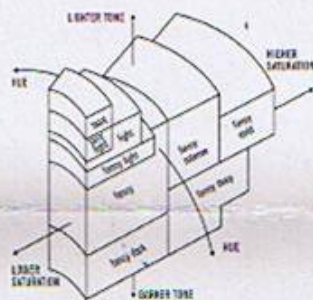


154873601

This Report is not a guarantee, valuation or appraisal. This Report contains only the characteristics of the diamond described herein after it has been graded, tested, examined and analyzed by GIA Gem Trade Laboratory under magnification, and/or has been inscribed, using the techniques and equipment available to GIA Gem Trade Laboratory at the time of the examination and/or at the time of being inscribed, including magnification, master color comparison diamonds, standardized viewing environment and light source, electronic carat balance, high intensity short wave fluorescence imaging system, optical measuring device, micro laser inscribing device, ProportionScope®, ultraviolet lamps, millimeter gauge, additional visual color comparators, spectroscope, Illuminator Polariscope®, immersion liquids, ultraviolet-visible and infrared spectrometers, X-ray fluorescence spectrometer, gamma-ray spectroscopy systems, beta radiation scintillation detector, radiation survey meter, X-ray luminescence equipment, and ancillary instruments as necessary. The recipient of this Report may wish to consult a credentialed Jeweler or Gemologist about the information contained herein.

**GIA
COLORED
DIAMOND
SCALE**

Member of the
International Gem
Association



IMPORTANT DOCUMENT, STORE SAFELY

This security feature is the diamond's
unique fluorescence pattern, which is visible
only under our special UV light and is not visible
under normal retail lighting conditions.

**NOTICE: IMPORTANT
LIMITATIONS OR BACK**

COPYRIGHT ©2004 GEMOLOGICAL INSTITUTE OF AMERICA, INC.



GIA
GEMOLOGICAL INSTITUTE OF AMERICA®

New York Laboratory Headquarters
580 Fifth Avenue | New York, NY 10036-4794
T: 212-221-5858 | F: 212-575-3095

Carlsbad
5355 Armada Drive | Carlsbad, CA 92008-4699
T: 760-603-4500 | F: 760-603-1814
www.gia.edu

COLORED DIAMOND IDENTIFICATION AND ORIGIN REPORT

GIA REPORT 15724994

May 07, 2007

Shape and Cutting Style EMERALD CUT

Measurements 4.05 x 3.10 x 2.18 mm

Weight 0.24 carat

Color Grade

Origin NATURAL

Grade FANCY INTENSE

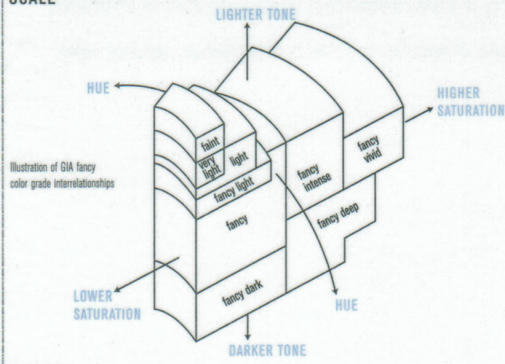
..... GREEN-BLUE

Distribution EVEN

Comments:

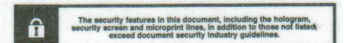
None

GIA
COLORED
DIAMOND
SCALE



262031201

This Report is not a guarantee, valuation or appraisal and contains only the characteristics of the diamond described herein after it has been graded, tested, examined and analyzed by the GIA Laboratory and/or has been inscribed using the techniques and equipment used by the GIA Laboratory at the time of the examination and/or inscription. Inscriptions reported in this document are not a guarantee, validation, or warranty of an article's quality, country of origin or source; or that the article will be identifiable by the inscription in the future (since inscriptions can be removed). GIA makes no representation concerning any trademark, word, or symbol which is inscribed by GIA or which is identified on this Report. The recipient of this Report may wish to consult a credentialed jeweler or gemologist about the information contained herein.



IMPORTANT LIMITATIONS ON BACK
©2007 GEMOLOGICAL INSTITUTE OF AMERICA, INC.



GIA
GEMOLOGICAL INSTITUTE OF AMERICA®

COLORED DIAMOND GRADING REPORT

GIA REPORT 1132389981

May 20, 2011

Laser Inscription Registry **GIA 1132389981**
Shape and Cutting Style **Emerald Cut**
Measurements **4.06 x 3.21 x 2.32 mm**

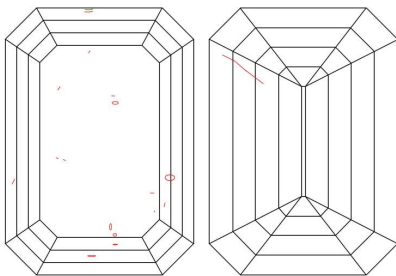
GRADING RESULTS

Carat Weight **0.26 carat**
Color
Origin **NATURAL**
Grade **FANCY INTENSE**
..... **ORANGE-YELLOW**
Distribution **Even**
Clarity Grade **S12**

ADDITIONAL GRADING INFORMATION

Finish
Polish **Very Good**
Symmetry **Good**
Fluorescence **None**
Comments:
Pinpoints are not shown.

REFERENCE DIAGRAMS



KEY TO SYMBOLS

- Feather
- Crystal
- Needle
- Indented Natural

Red symbols denote internal characteristics (inclusions). Green or black symbols denote external characteristics (blemishes). Diagram is an approximate representation of the diamond, and symbols shown indicate type, position, and approximate size of clarity characteristics. All clarity characteristics may not be shown. Details of finish are not shown.

Facsimile

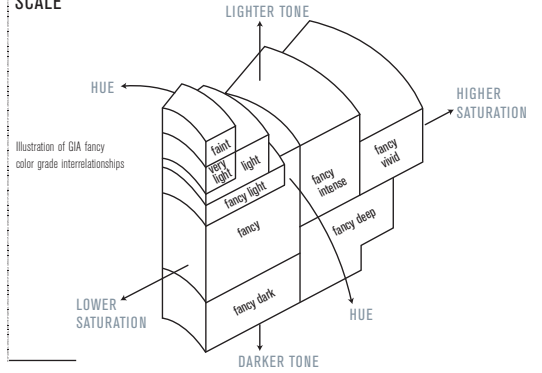
5355 Armada Drive | Carlsbad, CA 92008-4602
T: 760-603-4500 | F: 760-603-1814

GIA Laboratories
Bangkok Carlsbad Gaborone
Johannesburg Mumbai New York

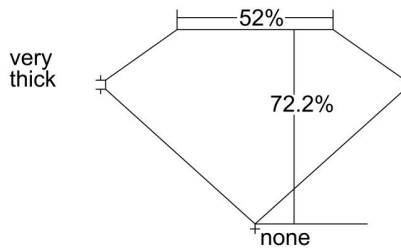
www.gia.edu

GIA CLARITY SCALE	
FLAWLESS	VERY VERY SLIGHTLY INCLUDED
INTERNALLY FLAWLESS	
VVS ₁	VERY SLIGHTLY INCLUDED
VVS ₂	
VS ₁	SLIGHTLY INCLUDED
VS ₂	
S1 ₁	INCLUDED
S1 ₂	
I ₁	
I ₂	INCLUDED
I ₃	

GIA COLORED DIAMOND SCALE



210511215889



Profile not to actual proportions

This is a digital representation of the original GIA Report. To verify the information herein, please refer to reportscheck.gia.edu. This Report is not a guarantee, valuation or appraisal and contains only the characteristics of the diamond described herein after it has been graded, tested, examined and analyzed by the laboratory providing this Report ("GIA") and/or has been inscribed using the techniques and equipment used by GIA at the time of the examination and/or inscription. Inscriptions reported in this document are not a guarantee, validation, or warranty of a diamond's quality, country of origin or source; or that the diamond will be identifiable by the inscription in the future (since inscriptions can be removed). GIA makes no representation concerning any trademark, word, or symbol which is inscribed by GIA or which is identified on this Report. The recipient of this Report may wish to consult a credentialed jeweler or gemologist about the information contained herein.

For terms, conditions, and limitations, see www.gia.edu/terms or call 800-421-7250 or 760-603-4500.

